









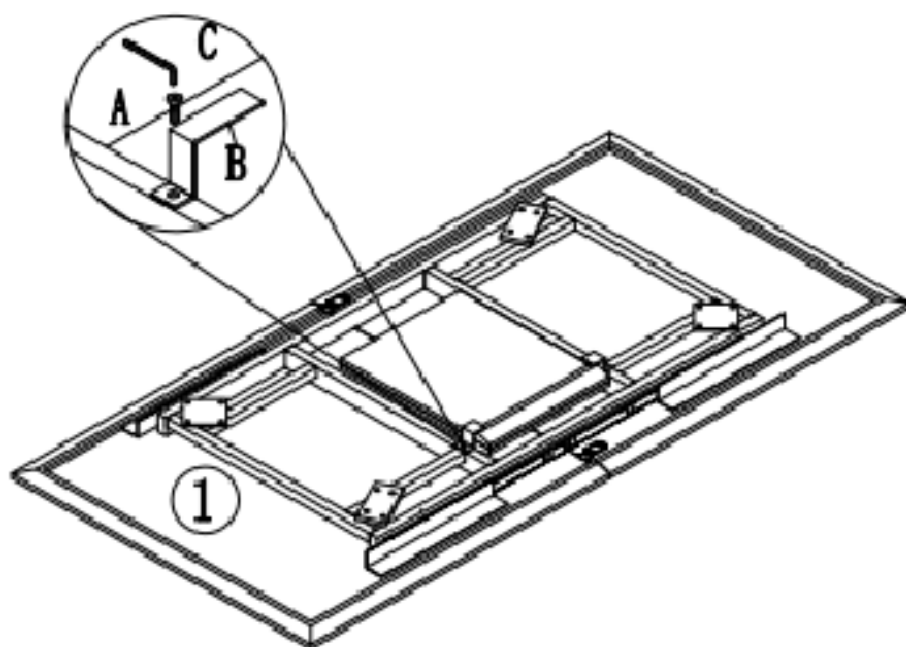
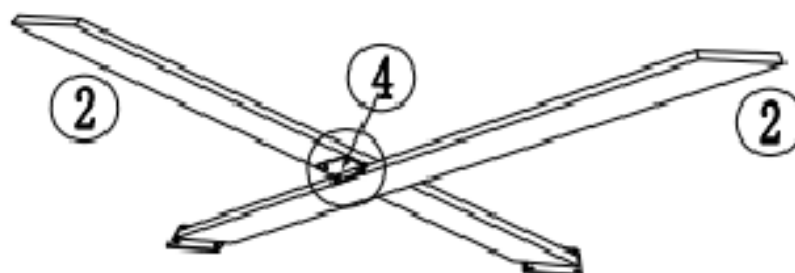
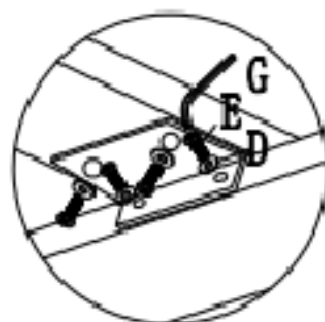
 <p>① x1</p>	 <p>② x2</p>	 <p>③ x2</p>	 <p>④ x1</p>			
<p>A (M3x16mm) x2</p> 	<p>B x2</p> 	<p>C (M4) x1</p> 	<p>D (M3x16) x20</p> 	<p>E (M3x20mm) x20</p> 	<p>F (M3x14mm) x4</p> 	<p>G (M5) x1</p> 
						<p>1/4</p>

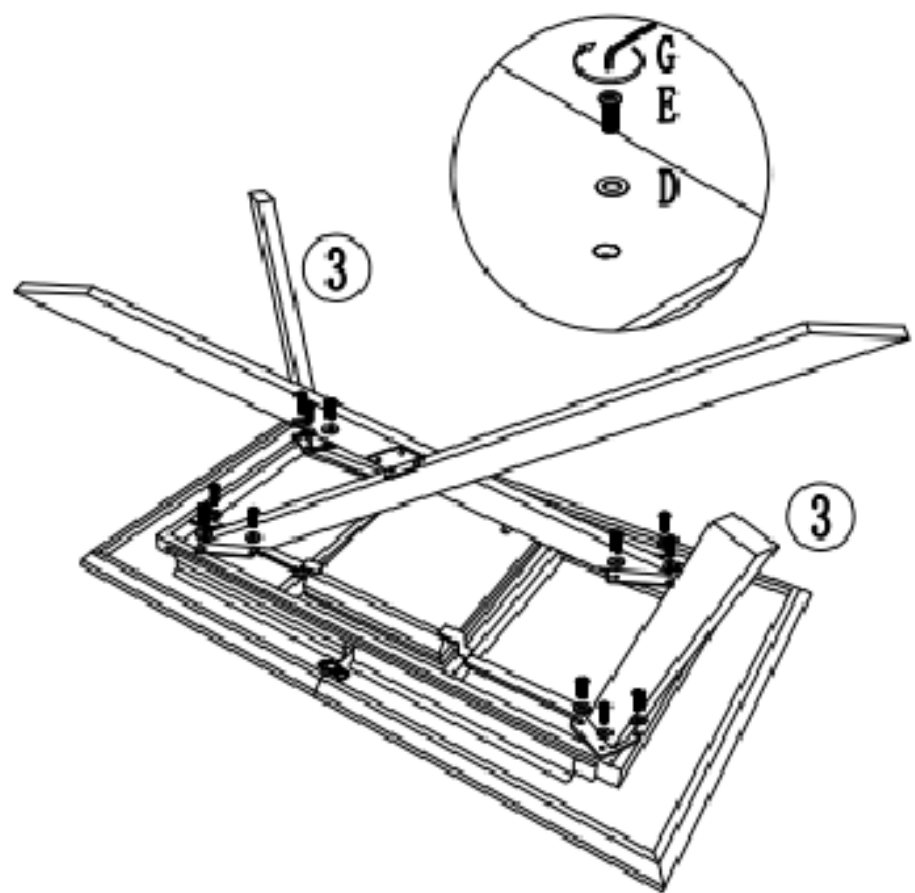
1



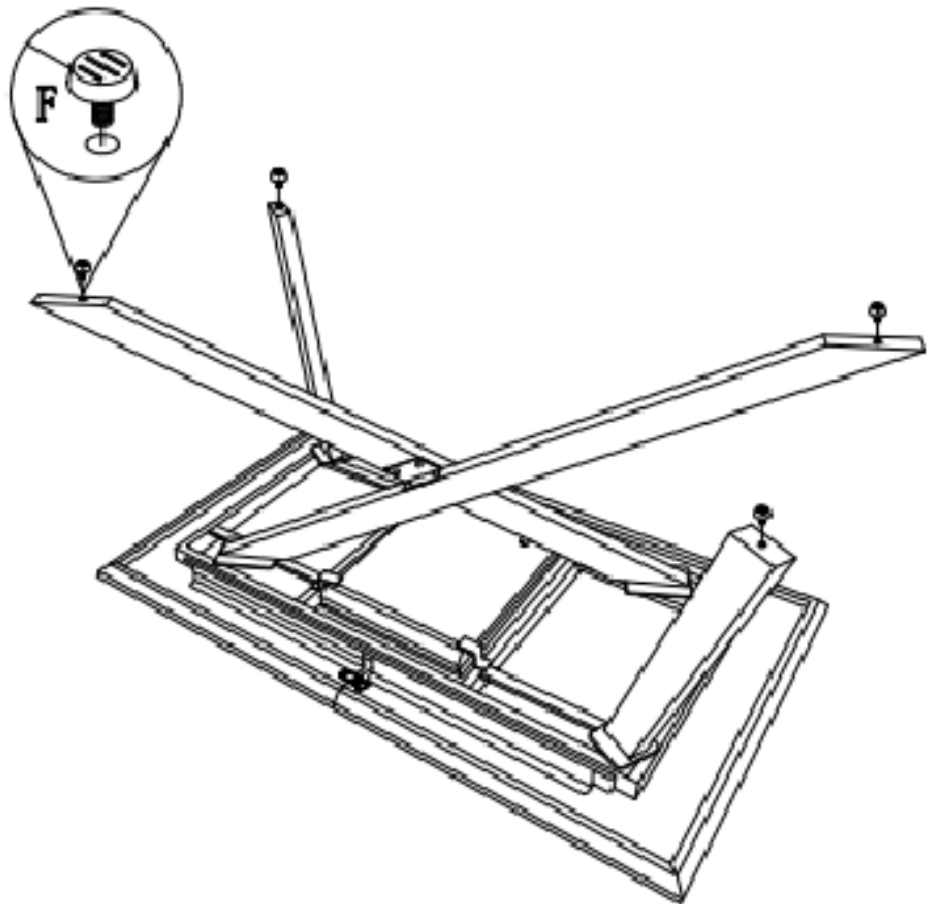
2



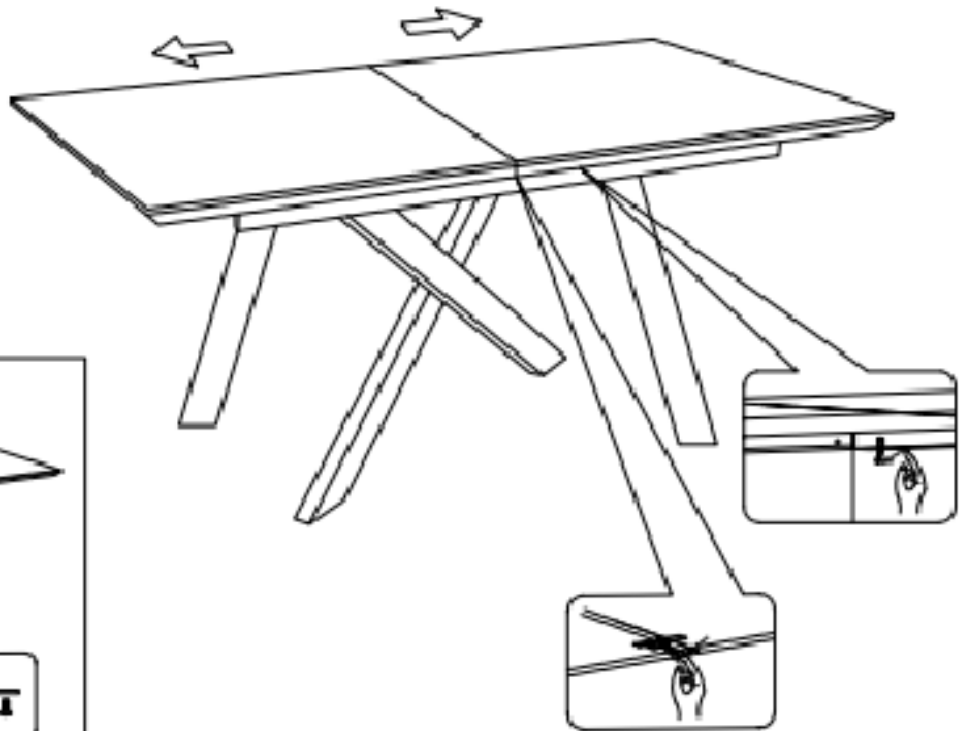
3



4



5



6

